



On behalf of STA

Certification Body : **CNA-PayCert**

48 rue de Montmartre

75002 Paris

France

Paris, 12/06/2019

Mr Nicolas EYBERT  
FLOWBIRD

Parc La Fayette, 6 rue Isaac Newton,  
25075 Besançon  
France

### ***CEN TS 16794 Compliance Certificate - PCD***

Certificate Number: CNAPC/PCD-00009

Product/System name: Cless Smart Reader (CSR) with ASTREO IdFM antenna  
(commercial identification)

Compliant with : CEN/TS 16794-1:2017

Operational temp. range : Class D (-25°C to +55°C)

Dear Mr Nicolas EYBERT,

CNA-PayCert has received a request, submitted by FLOWBIRD, your company, for the Certification of the PCD product Cless Smart Reader (CSR) with ASTREO IdFM antenna (Software version: CSC 1.24, Hardware version: ELM1000035854A, Reader type: IFM Reader (full range A and B)), hereafter referred to as the Product and identified above as "Cless Smart Reader (CSR) with ASTREO IdFM antenna".

In connection with your request, we have received your Implementation Conformance Statement (ICS), referred to as PAY.FLO.PCD.CEN16794.2017.2019-008 and we have assessed your Test Report(s) (ref. IC.E.RE.1904.021\_v1.0 (Analog)), which was generated by ICUBE, following the Test Plan "CEN/TS 16794-2:2017".

Based on these elements, as indicated in PayCert's Certification Report (ref. CER/EVR/PCD/2019-052 v1.1.0) the Certification Body has found reasonable evidence that the submitted samples of the Product complies to the CEN/TS 16794-1:2017.

The Certification Body hereby grants the Product Certification of compliance with the requirements stated by the CEN/TS 16794-1:2017 standard and will include your Product in



On behalf of STA

Certification Body : **CNA-PayCert**

48 rue de Montmartre

75002 Paris

France

the certified products list, published on CNA-PayCert website (<http://cna-paycert-certification.com>).

Please note that the present Certification is subject to the following terms and conditions as listed hereafter :

i) The present Certification is granted on the basis of the Smart Ticketing Alliance Certification Policy and therefore is valid as of today and will expire on the 12/06/2026

ii) If the Product is changed, FLOWBIRD must notify the Certification Body of this fact in writing. Any change in the Product that may generate a different behaviour with respect to the CEN/TS 16794-1:2017 standard or a difference in the Product Implementation Conformance Statement will be considered a major modification subject to a new evaluation in order to maintain the present Certification.

iii) The present Certification granted to FLOWBIRD for the above referenced Product is non-transferable to any other vendor.

The Certification Body has the right to terminate or revoke the Certification should any of the aforementioned terms and conditions be not respected.

Name: Ludovic VERECQUE

Title: General Manager



On behalf of STA

Certification Body : **CNA-PayCert**

48 rue de Montmartre

75002 Paris

France

## a. PCD Product Description

[PCD1] Administrative data

[PCD1.1] (\*) Brand name: FLOWBIRD

[PCD1.2] (\*) Trade name: Cless Smart Reader (CSR) with ASTREO IdFM antenna

[PCD1.3a] (\*) Hardware version: ELM1000035854A

[PCD1.3b] (\*) Software version: CSC 1.24

[PCD1.4] (\*) Reference of the contactless reader or antenna module: CPL528+ MUX585+ ANT585

[PCD1.4a] (\*) Hardware version of the contactless reader or antenna module: 10089-41-D, 18045-10-A

[PCD1.4b] (\*) Software version of the contactless reader or antenna module: CSC 1.24

[PCD1.5] (\*) EMVCo Approval number (if applicable): Not applicable

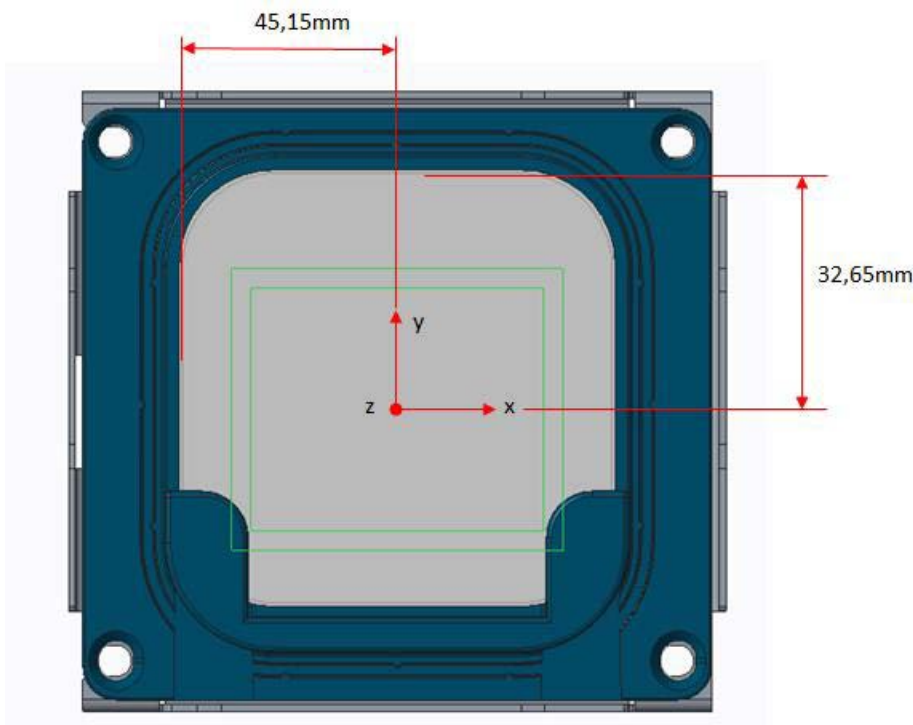
## b. PCD General Technical Characteristics

[PCD2.1] (\*) PT Reader Type: IFM Reader (Full range A and B)

[PCD2.2] (\*) Transaction supported when more than one PICC in the field: No

[PCD2.3] (\*) Operational temperature range supported: Class D (-25°C to + 55°C)

[PCD2.7] (\*) Reference of the PCD Zero Point – Range A (target ID marked on sample or photo or diagram)





On behalf of STA

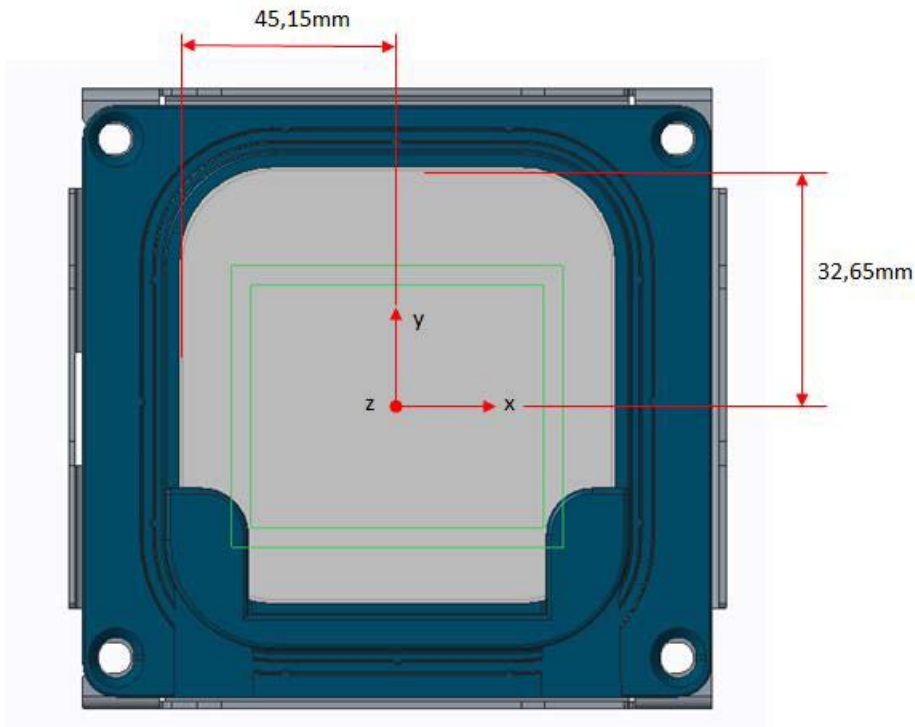
Certification Body : **CNA-PayCert**

48 rue de Montmartre

75002 Paris

France

[PCD2.11] (\*) Reference of the PCD Zero Point – Range B (target ID marked on sample or photo or diagram)



### c. PCD Supported Options

[PCD3] Protocol characteristics

[PCD3.1] (\*) Protocol(s) supported: Type A  Type B

Other: Type B', STM SR, CTS512B

[PCD4] Type A

[PCD4.1] (\*) PCD -> PICC bit rates supported:  $f_c/128$  (~106 kbit/s)

Other: 212 kbits/s

[PCD4.2] (\*) PICC -> PCD bit rates supported:  $f_c/128$  (~106 kbit/s)

Other: 212 kbits/s

[PCD5] Type B

[PCD5.1] (\*) PCD -> PICC bit rates supported:  $f_c/128$  (~106 kbit/s)

Other: 212 kbits/s

[PCD5.2] (\*) PICC -> PCD bit rates supported:  $f_c/128$  (~106 kbit/s)

Other: 212 kbits/s