



PayCert
48 rue Montmartre
75002 Paris
France

Paris, 06th August 2024

HID GLOBAL S.p.A
Viale Remo De Feo,1
80022 ARZANO (Na)
ITALY

CEN TS 16794 Compliance Certificate - PICC

A Smart Ticketing Alliance certification program

Certificate Number: **CNAPC/PIC-00053**
Product/System name: SOMA Atlas V3R (commercial identification)
Compliant with : CEN/TS 16794-1:2017
Operational temp. range : Class I (-10°C to +50°C)
ISO 14443 antenna class : Class 1
Protocol supported : Type B

Dear Customer,

The Certification Body PayCert has received a request, submitted by HID GLOBAL S.p.A, your company, for the Certification of the PICC product SOMA Atlas V3R (IC type: SLC36TDAxxxL5, Software: JEKAL V3.0, Application Type: Calypso Prime v3.3, Antenna: MWHID-36352 from MW CARD AND RFID TECHNOLOGY LTD, Card body: PVC, contactless card), hereafter referred to as the Product and identified above as "SOMA Atlas V3R".

In connection with your request, we have received your Implementation Conformance Statement (ICS), referred to as PAY.HID.PIC.CEN16794.2017.2024-011 dated 2024/07/16 and we have assessed your Test Report(s) (ref. IC.E.RE.2407.005 v1.0 (Analog) & IC.E.RE.2407.006 v1.0 (Digital)), which were generated by ICUBE TESTING CENTER, following the Test Plan "CEN/TS 16794-2:2017".

Based on these elements, as indicated in PayCert's Certification Report (ref. CER/EVR/PIC/2024-137 v1.0.0) the Certification Body has found reasonable evidence that the submitted samples of the Product complies to the CEN/TS 16794-1:2017.

The Certification Body hereby grants the Product Certification of compliance with the requirements stated by the CEN/TS 16794-1:2017 standard and will include your Product in the certified products list, published on PayCert website (<http://cna-paycert-certification.com>).



PayCert
48 rue Montmartre
75002 Paris
France

Please note that the present Certification (CER/CLE/PIC/2024-141 v1.0.0) is subject to the following terms and conditions as listed hereafter:

i) The present Certification is granted on the basis of the Smart Ticketing Alliance Certification Policy and therefore is valid as of today and will expire on the 5th of August 2031.

ii) If the Product is changed, HID GLOBAL S.p.A must notify the Certification Body of this fact in writing. Any change in the Product that may generate a different behaviour with respect to the CEN/TS 16794-1:2017 standard or a difference in the Product Implementation Conformance Statement will be considered a major modification subject to a new evaluation in order to maintain the present Certification.

iii) The present Certification granted to HID GLOBAL S.p.A for the above referenced Product is non-transferable to any other vendor.

The Certification Body has the right to terminate or revoke the Certification should any of the aforementioned terms and conditions be not respected.

Name: Laurence MASSON

Title: Chief Operating Officer



Accréditation n°5-0673
Portée disponible sur
www.cofrac.fr



PayCert
48 rue Montmartre
75002 Paris
France

1.1 PICC Product Description

[PICC1] Administrative data

[PICC1.1] (*) Brand name: SOMA Atlas V3R

[PICC1.2] (*) Trade name: KIAT V7

[PICC1.3a] (*) Hardware version: 32-bit ARM Security Controller V16

[PICC1.3b] (*) Software version: JEKAL V3.0

[PICC1.4] (*) PICC features ISO/IEC 7816 contact interface (dual):

Yes No

[PICC1.5] (*) IC manufacturer: Infineon

[PICC1.6] (*) IC reference / size: SLC36TDAxxxL5

[PICC1.9] (*) Type of card body structure: PVC

The PICC is based on a STA certified PICC (*): Yes No

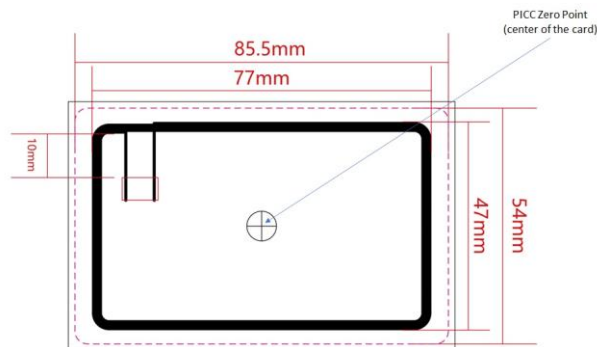
If yes STA PICC certificate number (*): CNAPC/PIC-00037

If yes rationale to justify the delta-certification (*): Adding of Calypso 3.3 features including PKI functions

1.2 ICC General Technical Characteristics

[PICC2] General technical characteristics

[PICC2.2] (*) Reference of PICC Zero Point (target ID-marked on sample or photo or diagram):



See CEN16794_20240405_Annex A

[PICC2.3] (*) Operational temperature range supported:

- Class A (Ambient)
 Class I (-10 °C to + 50 °C)

[PICC2.4] (*) Antenna class according to ISO/IEC 14443:

- Unclassified "Class 1" "Class 2" "Class 3"



PayCert
48 rue Montmartre
75002 Paris
France

1.3 PICC Supported Options

[PICC3] Protocol characteristics

[PICC3.1] (*) Supported communication signal interface(s) and protocol(s): Type A Type B
Other: [Click here to enter text.](#)

[PICC5] Type B (where applicable)

[PICC5.1] (*) PCD -> PICC bit rates supported: fc/128 (~106 kbit/s)
Other: 212 kbit/s; 424 kbit/s

[PICC5.2] (*) PICC -> PCD bit rates supported: fc/128 (~106 kbit/s)
Other: 212 kbit/s; 424 kbit/s

[PICC5.3] (*) Only symmetrical bit rates supported: Yes No

[PICC5.4] (*) PUPI value: Fixed number Random number

[PICC5.9] (*) Extended ATQB support: Yes No
If yes, SFGI: 4

[PICC5.10] (*) S(PARAMETERS) support: Yes No

[PICC5.11] (*) All AFIs are supported: Yes No
If not, indicate all supported AFI(s): 00h

[PICC5.12] (*) REQB/WUPB with N > 1 support: Yes No