



PayCert
48 rue Montmartre
75002 Paris
France

Paris, 26/01/2022

Mr. Wolfgang HATZINGER
Austria Card Plastikkarten und Ausweissysteme GmbH
Lamezanstrasse 4-8
A-1232 WIEN
AUSTRIA

CEN TS 16794 Compliance Certificate - PICC

A Smart Ticketing Alliance certification program

Certificate Number: CNAPC/PIC-00034
Product/System name: SOMA Atlas V2 (commercial identification)
Compliant with : CEN/TS 16794-1:2017
Operational temp. range : Class I (-10°C to +50°C)
ISO 14443 antenna class : Unclassified
Protocol supported : type B

Dear Mr.HATZINGER,

The Certification Body PayCert has received a request, submitted by Austria Card Plastikkarten und Ausweissysteme GmbH, your company, for the Certification of the PICC product SOMA Atlas V2 (IC type: SLE77CLFX136A; Application Type: Calypso Prime Rev3; Antenna: ACA COM 3.0; Card body : PVC; Protocols: Type B, Dual Interface card), hereafter referred to as the Product and identified above as "SOMA Atlas V2".

In connection with your request, we have received your Implementation Conformance Statement (ICS), referred to as PAY.AUS.PICC.CEN16794.2017.2021-007 and we have assessed your Test Report(s) (ref. IC.E.RE.2112.020 V1.0 (Analog tests)), which was generated by ICUBE, following the Test Plan "CEN/TS 16794-2:2017".

Based on these elements, as indicated in PayCert's Certification Report (ref. CER/EVR/PIC/2022-004 v1.0.0) the Certification Body has found reasonable evidence that the submitted samples of the Product complies to the CEN/TS 16794-1:2017.

The Certification Body hereby grants the Product Certification of compliance with the requirements stated by the CEN/TS 16794-1:2017 standard and will include your Product in the certified products list, published on PayCert website (www.cna-paycert-certification.com).



PayCert
48 rue Montmartre
75002 Paris
France

Please note that the present Certification is subject to the following terms and conditions as listed hereafter :

i) The present Certification is granted on the basis of the Smart Ticketing Alliance Certification Policy and therefore is valid as of today and will expire on the 25. January 2029.

ii) If the Product is changed, Austria Card Plastikkarten und Ausweissysteme GmbH must notify the Certification Body of this fact in writing. Any change in the Product that may generate a different behaviour with respect to the CEN/TS 16794-1:2017 standard or a difference in the Product Implementation Conformance Statement will be considered a major modification subject to a new evaluation in order to maintain the present Certification.

iii) The present Certification granted to Austria Card Plastikkarten und Ausweissysteme GmbH for the above referenced Product is non-transferable to any other vendor.

The Certification Body has the right to terminate or revoke the Certification should any of the aforementioned terms and conditions be not respected.

Name: Ludovic VERECQUE

Title: General Manager



Accréditation n°5-0563
Portée disponible sur
www.cofrac.fr

a. PICC Product Description

[PICC1] Administrative data

[PICC1.1] (*) Brand name: SOMA ATLAS V2

[PICC1.2] (*) Trade name: KIAT V5

[PICC1.3a] (*) Hardware version: SLE77V2

[PICC1.3b] (*) Software version: JEKAL V2

[PICC1.4] (*) PICC features ISO/IEC 7816 contact interface (dual): Yes No

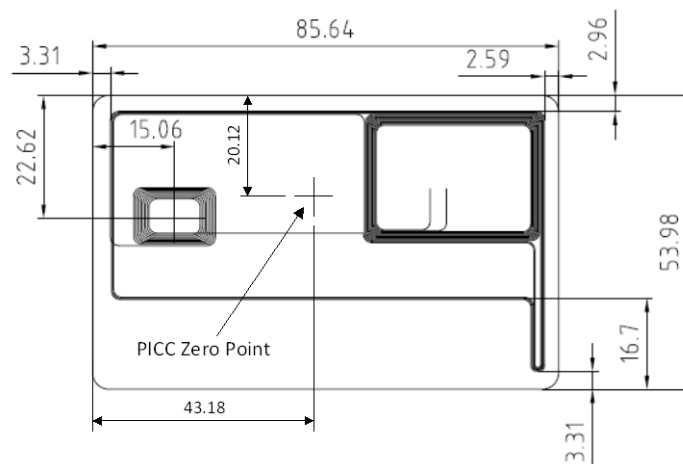
[PICC1.5] (*) IC manufacturer: Infineon

[PICC1.6] (*) IC reference / size: SLE77CLFxxxAP (with NVM sizes xxx= 240, 200, 184, 156, 136)

b. ICC General Technical Characteristics

[PICC2] General technical characteristics

[PICC2.2] (*) Reference of PICC Zero Point (target ID-marked on sample or photo or diagram):



ACA COM 3.0

[PICC2.3] (*) Operational temperature range supported:

- Class A (Ambient)
 Class I (-10 °C to + 50 °C)

[PICC2.4] (*) Antenna class according to ISO/IEC 14443:

- Unclassified "Class 1" "Class 2" "Class 3"



PayCert
48 rue Montmartre
75002 Paris
France

c. PICC Supported Options

[PICC3] Protocol characteristics

[PICC3.1] (*) Protocol(s) supported: Type A Type B Other:

[PICC5] Type B (where applicable)

[PICC5.1] (*) PCD -> PICC bit rates supported: fc/128 (~106 kbit/s)
Other: 212 kbit/s; 424 kbit/s

[PICC5.2] (*) PICC -> PCD bit rates supported: fc/128 (~106 kbit/s)
Other: 212 kbit/s; 424 kbit/s

[PICC5.3] (*) Only symmetrical bit rates supported: Yes No

[PICC5.4] (*) PUPI value: Fixed number Random number

[PICC5.9] (*) Extended ATQB support: Yes No
If yes, SFGI: 4

[PICC5.10] (*) S(PARAMETERS) support: Yes No

[PICC5.11] (*) All AFIs are supported: Yes No
If not, indicate all supported AFI(s): 00h

[PICC5.12] (*) REQW/WUPB with N > 1 support: Yes No