



**PayCert**  
48 rue Montmartre  
75002 Paris  
France

Paris, 23/06/2021

Mrs. Claude GIRE  
Paragon ID  
Parc d'activité de l'Argile, Lot 123 - Voie K, 460 Avenue de Quiera  
06370 Mouans-Sartoux  
France

***CEN TS 16794 Compliance Certificate - PICC***  
*A Smart Ticketing Alliance certification program*

Certificate Number: CNAPC/PIC-00022  
Product/System name: TanGO+ Flash Contactless type B (commercial identification)  
Compliant with : CEN/TS 16794-1:2017  
Operational temp. range : Class I (-10°C to +50°C)  
ISO 14443 antenna class : Class 1  
Protocol supported : type B

Dear Mrs.GIRE,

The Certification Body CNA-PayCert has received a request, submitted by Paragon ID, your company, for the Certification of the PICC product TanGO+ Flash Contactless type B (IC type: SLC32TDA180G5, Application Type: CLAP 1.1, Antenna : QUA-ST-801, Card body : PVC plastic), hereafter referred to as the Product and identified above as "TanGO+ Flash Contactless type B".

In connection with your request, we have received your Implementation Conformance Statement (ICS), referred to as PAY.PRG.PICC.CEN16794.2017.2019-028 and we have assessed your Test Report(s) (ref. (analog) : IC.E.RE.1912.028\_v1.0), which was generated by ICUBE, following the Test Plan "CEN/TS 16794-2:2017".

Based on these elements, as indicated in PayCert's Certification Report (ref. CER/EVR/PIC/2020-011 v1.0.1) the Certification Body has found reasonable evidence that the submitted samples of the Product complies to the CEN/TS 16794-1:2017.



**PayCert**  
48 rue Montmartre  
75002 Paris  
France

The Certification Body hereby grants the Product Certification of compliance with the requirements stated by the CEN/TS 16794-1:2017 standard and will include your Product in the certified products list, published on CNA-PayCert website (<http://cna-paycert-certification.com>).

Please note that the present Certification is subject to the following terms and conditions as listed hereafter :

i) The present Certification is granted on the basis of the Smart Ticketing Alliance Certification Policy and therefore is valid as of today and will expire on the 29. January 2027.

ii) If the Product is changed, Paragon ID must notify the Certification Body of this fact in writing. Any change in the Product that may generate a different behaviour with respect to the CEN/TS 16794-1:2017 standard or a difference in the Product Implementation Conformance Statement will be considered a major modification subject to a new evaluation in order to maintain the present Certification.

iii) The present Certification granted to Paragon ID for the above referenced Product is non-transferable to any other vendor.

The Certification Body has the right to terminate or revoke the Certification should any of the aforementioned terms and conditions be not respected.

**The present certification letter supersedes the certification letter  
ref. CER/CLE/PIC/2020-011 v2.0.0 issued on 24/03/2021**

Name: Ludovic VERECQUE

Title: General Manager



Accréditation n°5-0563  
Portée disponible sur  
[www.cofrac.fr](http://www.cofrac.fr)



**PayCert**  
48 rue Montmartre  
75002 Paris  
France

## 1.1 PICC Product Description

### [PICC1] Administrative data

[PICC1.1] (\*) Brand name: TanGO+ Flash

[PICC1.2] (\*) Trade name: TanGO+ Flash

[PICC1.3a] (\*) Hardware version: N/A

[PICC1.3b] (\*) Software version: v2

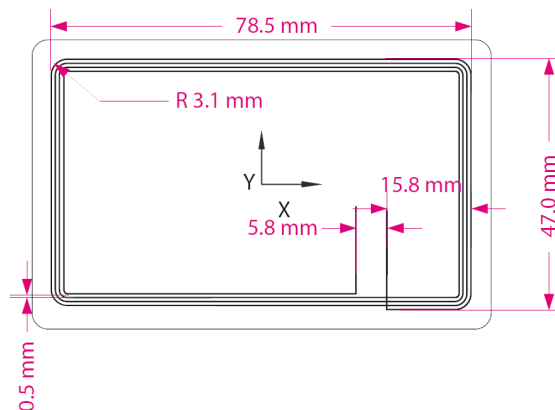
[PICC1.4] (\*) PICC features ISO/IEC 7816 contact interface (dual):  Yes  No

[PICC1.5] (\*) IC manufacturer: Infineon

[PICC1.6] (\*) IC reference / size: SLC32TDA180G5 /180 KB

### [PICC2] General technical characteristics

[PICC2.2] (\*) Reference of PICC Zero Point (target ID-marked on sample or photo or diagram):



[Click here to enter text.](#)

[PICC2.3] (\*) Operational temperature range supported:

- Class A (Ambient)  
 Class I (-10 °C to + 50 °C)

[PICC2.4] (\*) Antenna class according to ISO/IEC 14443:

- Unclassified  "Class 1"  "Class 2"  "Class 3"



**PayCert**  
48 rue Montmartre  
75002 Paris  
France

## 1.2 PICC Supported Options

[PICC3] Protocol characteristics

[PICC3.1] (\*) Protocol(s) supported: Type A  Type B  Other: [Click here to enter text.](#)

[PICC5] Type B (where applicable)

[PICC5.1] (\*) PCD -> PICC bit rates supported:  fc/128 (~106 kbit/s)  
Other: fc/64 (212 kbit/s), fc/32 (424 kbit/s)

[PICC5.2] (\*) PICC -> PCD bit rates supported:  fc/128 (~106 kbit/s)  
Other: fc/64 (212 kbit/s), fc/32 (424 kbit/s)

[PICC5.3] (\*) Only symmetrical bit rates supported:  Yes  No

[PICC5.4] (\*) PUPI value:  Fixed number  Random number

[PICC5.9] (\*) Extended ATQB support:  Yes  No  
If yes, SFGI: 0

[PICC5.10] (\*) S(PARAMETERS) support:  Yes  No

[PICC5.11] (\*) All AFIs are supported:  Yes  No  
If not, indicate all supported AFI(s): 00, 10

[PICC5.12] (\*) REQW/WUPB with N > 1 support:  Yes  No