



On behalf of STA

Certification Body : **CNA-PayCert**

48 rue Montmartre

75002 Paris

France

Paris, 29/01/2020

Mr. Claude GIRE

Paragon ID

Parc d'activité de l'Argile, Lot 123 - Voie K, 460 Avenue de Quiera

06370 Mouans-Sartoux

France

CEN TS 16794 Compliance Certificate - PICC

Certificate Number: CNAPC/PIC-00022

Product/System name: TanGO+ Flash Contactless type B (commercial identification)

Compliant with : CEN/TS 16794-1:2017

Operational temp. range : Class I (-10°C to +50°C)

ISO 14443 antenna class : Class 1

Protocol supported : type B

Dear Mr. Claude GIRE,

CNA-PayCert has received a request, submitted by Paragon ID, your company, for the Certification of the PICC product TanGO+ Flash Contactless type B (IC type: SLC32TDA180G5, Application Type: CLAP 1.1, Antenna : QUA-ST-801, Card body : PVC plastic), hereafter referred to as the Product and identified above as "TanGO+ Flash Contactless type B".

In connection with your request, we have received your Implementation Conformance Statement (ICS), referred to as PAY.PRG.PICC.CEN16794.2017.2019-028 and we have assessed your Test Report(s) (ref. (analog) : IC.E.RE.1912.028_v1.0), which was generated by ICUBE, following the Test Plan "CEN/TS 16794-2:2017".

Based on these elements, as indicated in PayCert's Certification Report (ref. CER/EVR/PIC/2020-011 v1.0.1) the Certification Body has found reasonable evidence that the submitted samples of the Product complies to the CEN/TS 16794-1:2017.



On behalf of STA

Certification Body : **CNA-PayCert**

48 rue Montmartre

75002 Paris

France

The Certification Body hereby grants the Product Certification of compliance with the requirements stated by the CEN/TS 16794-1:2017 standard and will include your Product in the certified products list, published on CNA-PayCert website (<http://cna-paycert-certification.com>).

Please note that the present Certification is subject to the following terms and conditions as listed hereafter :

i) The present Certification is granted on the basis of the Smart Ticketing Alliance Certification Policy and therefore is valid as of today and will expire on the 29/01/2027.

ii) If the Product is changed, Paragon ID must notify the Certification Body of this fact in writing. Any change in the Product that may generate a different behaviour with respect to the CEN/TS 16794-1:2017 standard or a difference in the Product Implementation Conformance Statement will be considered a major modification subject to a new evaluation in order to maintain the present Certification.

iii) The present Certification granted to Paragon ID for the above referenced Product is non-transferable to any other vendor.

The Certification Body has the right to terminate or revoke the Certification should any of the aforementioned terms and conditions be not respected.

Name: Ludovic VERECQUE

Title: General Manager



On behalf of STA

Certification Body : **CNA-PayCert**

48 rue Montmartre

75002 Paris

France

1.1 PICC Product Description

[PICC1] Administrative data

[PICC1.1] (*) Brand name: TanGO+ Flash

[PICC1.2] (*) Trade name: TanGO+ Flash

[PICC1.3a] (*) Hardware version: N/A

[PICC1.3b] (*) Software version: v2

[PICC1.4] (*) PICC features ISO/IEC 7816 contact interface (dual): Yes No

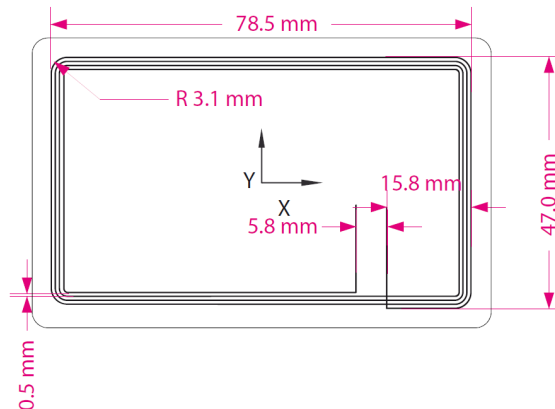
[PICC1.5] (*) IC manufacturer: Infineon

[PICC1.6] (*) IC reference / size: SLC32TDA180G5 / 180 Kbytes

1.2 PICC General Technical Characteristics

[PICC2] General technical characteristics

[PICC2.2] (*) Reference of PICC Zero Point (target ID-marked on sample or photo or diagram):



[Click here to enter text.](#)

[PICC2.3] (*) Operational temperature range supported:

- Class A (Ambient)
 Class I (-10 °C to + 50 °C)

[PICC2.4] (*) Antenna class according to ISO/IEC 14443:

- Unclassified "Class 1" "Class 2" "Class 3"

1.3 PICC Supported Options

[PICC3] Protocol characteristics

[PICC3.1] (*) Protocol(s) supported: Type A Type B Other: [Click here to enter text.](#)



On behalf of STA

Certification Body : **CNA-PayCert**

48 rue Montmartre

75002 Paris

France

[PICC5] Type B (where applicable)

[PICC5.1] (*) PCD -> PICC bit rates supported: fc/128 (~106 kbit/s)

Other: fc/64 (212 kbit/s), fc/32 (424 kbit/s)

[PICC5.2] (*) PICC -> PCD bit rates supported: fc/128 (~106 kbit/s)

Other: fc/64 (212 kbit/s), fc/32 (424 kbit/s)

[PICC5.3] (*) Only symmetrical bit rates supported: Yes No

[PICC5.4] (*) PUPI value: Fixed number Random number

[PICC5.9] (*) Extended ATQB support: Yes No

If yes, SFGI: 0

[PICC5.10] (*) S(PARAMETERS) support: Yes No

[PICC5.11] (*) All AFIs are supported: Yes No

If not, indicate all supported AFI(s): 00, 10

[PICC5.12] (*) REQW/WUPB with N > 1 support: Yes No