



On behalf of STA

Certification Body : **CNA-PayCert**

48 rue Montmartre

75002 Paris

France

Paris, 18/11/2019

Mr. Mohamed TABET  
ST MICROELECTRONICS  
190 Avenue Celestin Cop  
13106 Rousset Cedex  
France

### **CEN TS 16794 Compliance Certificate - PICC**

Certificate Number: CNAPC/PIC-00019  
Product/System name: CD21 Convego Calypso (commercial identification)  
Compliant with : CEN/TS 16794-2:2017  
Operational temp. range : Class I (-10°C to +50°C)  
ISO 14443 antenna class : Class 1  
Protocol supported : type B

Dear Mr. Mohamed TABET,

CNA-PayCert has received a request, submitted by PROTON WORLD INTERNATIONAL NV, your company, for the Certification of the PICC product CD21 Convego Calypso (IC type: ST31G256SQ, Application Type: Calypso Rev 3.2 FW 448, Antenna Linxens D-12707), hereafter referred to as the Product and identified above as "CD21 Convego Calypso".

In connection with your request, we have received your Implementation Conformance Statement (ICS), referred to as PAY.STM.PICC.CEN16794.2017.2019-021 and we have assessed your Test Report(s) (ref. (analog) : IC.E.RE.1910.010\_v1.0, (digital) : IC.E.RE.1910.011\_v1.0), which was generated by ICUBE, following the Test Plan "CEN/TS 16794-1:2017".

Based on these elements, as indicated in PayCert's Certification Report (ref. CER/EVR/PIC/2019-108 v2.0.0) the Certification Body has found reasonable evidence that the submitted samples of the Product complies to the CEN/TS 16794-2:2017.



On behalf of STA

Certification Body : **CNA-PayCert**

48 rue Montmartre

75002 Paris

France

The Certification Body hereby grants the Product Certification of compliance with the requirements stated by the CEN/TS 16794-2:2017 standard and will include your Product in the certified products list, published on CNA-PayCert website (<http://cna-paycert-certification.com>).

Please note that the present Certification is subject to the following terms and conditions as listed hereafter :

i) The present Certification is granted on the basis of the Smart Ticketing Alliance Certification Policy and therefore is valid as of today and will expire on the 18/11/2026.

ii) If the Product is changed, PROTON WORLD INTERNATIONAL NV must notify the Certification Body of this fact in writing. Any change in the Product that may generate a different behaviour with respect to the CEN/TS 16794-2:2017 standard or a difference in the Product Implementation Conformance Statement will be considered a major modification subject to a new evaluation in order to maintain the present Certification.

iii) The present Certification granted to PROTON WORLD INTERNATIONAL NV for the above referenced Product is non-transferable to any other vendor.

The Certification Body has the right to terminate or revoke the Certification should any of the aforementioned terms and conditions be not respected.

Name: Ludovic VERECQUE

Title: General Manager



On behalf of STA

Certification Body : **CNA-PayCert**

48 rue Montmartre

75002 Paris

France

## a. PICC Product Description

[PICC1] Administrative data

[PICC1.1] (\*) Brand name: Convego Calypso CD21 Flash 3.2

[PICC1.2] (\*) Trade name: Convego Calypso CD21 Flash 3.2

[PICC1.3a] (\*) Hardware version: Revision B

[PICC1.3b] (\*) Software version: Revision 0x10 Version 0x01 FW 448

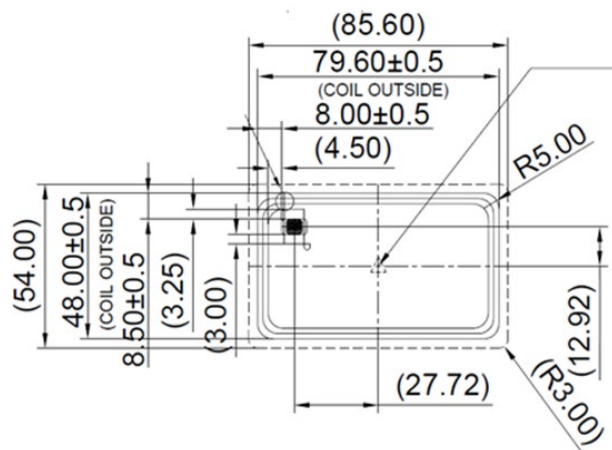
[PICC1.4] (\*) PICC features ISO/IEC 7816 contact interface (dual):  Yes  No

[PICC1.5] (\*) IC manufacturer: STMicroelectronics

[PICC1.6] (\*) IC reference / size: ST31G256SQ

## b. PICC General Technical Characteristics

[PICC2.2] (\*) Reference of PICC Zero Point (target ID-marked on sample or photo or diagram):



[Click here to enter text.](#)

[PICC2.3] (\*) Operational temperature range supported:

- Class A (Ambient)  
 Class I (-10 °C to + 50 °C)

[PICC2.4] (\*) Antenna class according to ISO/IEC 14443:

- Unclassified  "Class 1"  "Class 2"  "Class 3"



On behalf of STA

Certification Body : **CNA-PayCert**

48 rue Montmartre

75002 Paris

France

## c. PICC Supported Options

[PICC3] Protocol characteristics

[PCD3.1] (\*) Protocol(s) supported: Type A  Type B  Other:

[PICC5] Type B (where applicable)

[PICC5.1] (\*) PCD -> PICC bit rates supported:  fc/128 (~106 kbit/s)

Other: 212 Kbits/s 424 Kbits/s 848Kbits/s

[PICC5.2] (\*) PICC -> PCD bit rates supported:  fc/128 (~106 kbit/s)

Other: 212 Kbits/s 424 Kbits/s 848Kbits/s

[PICC5.3] (\*) Only symmetrical bit rates supported:  Yes  No

[PICC5.4] (\*) PUPI value:  Fixed number  Random number

[PICC5.9] (\*) Extended ATQB support:  Yes  No

If yes, SFGI: 0x10h

[PICC5.10] (\*) S(PARAMETERS) support:  Yes  No

[PICC5.11] (\*) All AFIs are supported:  Yes  No

If not, indicate all supported AFI(s): [Click here to enter text.](#)

[PICC5.12] (\*) REQB/WUPB with N > 1 support:  Yes  No