



On behalf of STA

Certification Body : **CNA-PayCert**

48 rue de Montmartre

75002 Paris

France

Paris, 12/7/2019

Mr Cédric CHAPIGNAC
CONDUENT Business Solution France
1 rue Claude Chappe
07503 GUILHERAND-GRANGES
France

CEN TS 16794 Compliance Certificate - PCD

Certificate Number: CNAPC/PCD-00011
Product/System name: MT CAB (commercial identification)
Compliant with : CEN/TS 16794-1:2017
Operational temp. range : Class D (-25°C to +55°C)

Dear Mr Cédric CHAPIGNAC,

CNA-PayCert has received a request, submitted by CONDUENT Business Solution France, your company, for the Certification of the PCD product MT CAB (Software version: AppliCertif V1.1, Hardware version: 87 732 058 V02), hereafter referred to as the Product and identified above as "MT CAB".

In connection with your request, we have received your Implementation Conformance Statement (ICS), referred to as PAY.COND.PCD.CEN16794.2017.2019-013 and we have assessed your Test Report(s) (ref. IC.E.RE.1905.005_v1.1 (Analog) and IC.E.RE.1905.006_v1.1 (Digital)), which was generated by ICUBE, following the Test Plan "CEN/TS 16794-2:2017".

Based on these elements, as indicated in PayCert's Certification Report (ref. CER/EVR/PCD/2019-057 v1.0.0) the Certification Body has found reasonable evidence that the submitted samples of the Product complies to the CEN/TS 16794-1:2017.

The Certification Body hereby grants the Product Certification of compliance with the requirements stated by the CEN/TS 16794-1:2017 standard and will include your Product in the certified products list, published on CNA-PayCert website (<http://cna-paycert-certification.com>).



On behalf of STA

Certification Body : **CNA-PayCert**

48 rue de Montmartre

75002 Paris

France

Please note that the present Certification is subject to the following terms and conditions as listed hereafter :

i) The present Certification is granted on the basis of the Smart Ticketing Alliance Certification Policy and therefore is valid as of today and will expire on the 12/7/2026

ii) If the Product is changed, CONDUENT Business Solution France must notify the Certification Body of this fact in writing. Any change in the Product that may generate a different behaviour with respect to the CEN/TS 16794-1:2017 standard or a difference in the Product Implementation Conformance Statement will be considered a major modification subject to a new evaluation in order to maintain the present Certification.

iii) The present Certification granted to CONDUENT Business Solution France for the above referenced Product is non-transferable to any other vendor.

The Certification Body has the right to terminate or revoke the Certification should any of the aforementioned terms and conditions be not respected.

Name: Ludovic VERECQUE

Title: General Manager



On behalf of STA

Certification Body : **CNA-PayCert**

48 rue de Montmartre

75002 Paris

France

a. PCD Product Description

[PCD1] Administrative data

[PCD1.1] (*) Brand name: CONDUENT

[PCD1.2] (*) Trade name: MT CAB

[PCD1.3a] (*) Hardware version: 87 732 058 V02

[PCD1.3b] (*) Software version: AppliCertif V1.1

[PCD1.4] (*) Reference of the contactless reader or antenna module: PCBA UC CAS 440 +
PCBA ANTENNA CAS440

[PCD1.4a] (*) Hardware version of the contactless reader or antenna module: Main Board : 87
731 723 V05 + Antenna board : 87 731 725 V02

[PCD1.4b] (*) Software version of the contactless reader or antenna module: 821 320 V01_03

[PCD1.5] (*) EMVCo Approval number (if applicable): Not applicable

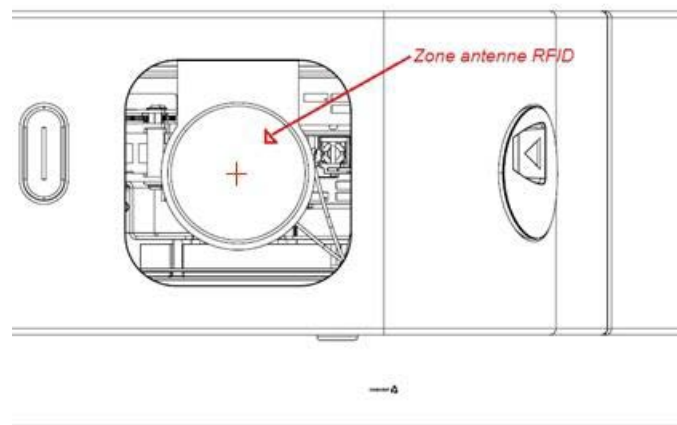
b. PCD General Technical Characteristics

[PCD2.1] (*) PT Reader Type: IFM Reader (Full range A and B)

[PCD2.2] (*) Transaction supported when more than one PICC in the field: No

[PCD2.3] (*) Operational temperature range supported: Class D (-25°C to + 55°C)

[PCD2.7] (*) Reference of the PCD Zero Point – Range A (target ID marked on sample or photo or
diagram)



The Reference of the PCD Zero point is the center of the antenna coil



On behalf of STA

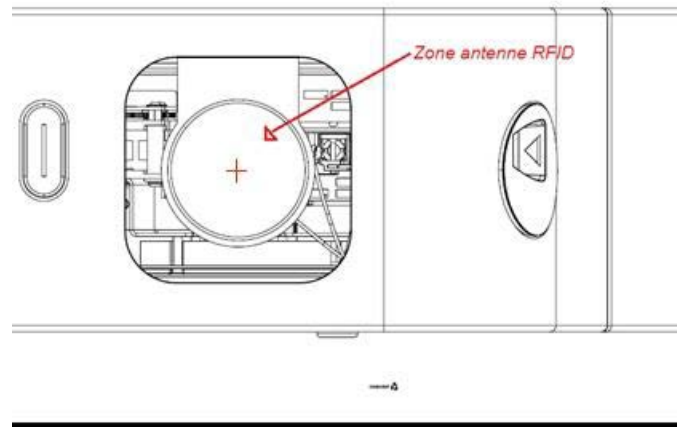
Certification Body : **CNA-PayCert**

48 rue de Montmartre

75002 Paris

France

[PCD2.11] (*) Reference of the PCD Zero Point – Range B (target ID marked on sample or photo or diagram)



c. PCD Supported Options

[PCD3] Protocol characteristics

[PCD3.1] (*) Protocol(s) supported: Type A Type B Other: Innovatron

[PCD4] Type A

[PCD4.1] (*) PCD -> PICC bit rates supported: fc/128 (~106 kbit/s)

Other:

[PCD4.2] (*) PICC -> PCD bit rates supported: fc/128 (~106 kbit/s)

Other:

[PCD5] Type B

[PCD5.1] (*) PCD -> PICC bit rates supported: fc/128 (~106 kbit/s)

Other:

[PCD5.2] (*) PICC -> PCD bit rates supported: fc/128 (~106 kbit/s)

Other: